



SHOWER
WALL

Acrylic



CONTENTS

It is essential to read this guide thoroughly before commencing installation.

04	INSTALLER RESPONSIBILITY Important do's and don'ts and a pre installation checklist
06	PREPARATION Preparation advice for fitting panels
08	FITTING Installation steps for fitting our Acrylic panels
11	CARE, MAINTENANCE & GUARANTEE Details for care, maintenance & guarantee

INSTALLER RESPONSIBILITY

Installation Details

IMPORTANT DETAILS

Prior to commencing installation please carefully read this installation guide in full. It is important that you follow and adhere to all of the instructions to ensure the most effective use of the product.

To maintain the validity of your guarantee you must follow the installation instructions provided. Failure to do this will make all aspects of the guarantee invalid. The product colours/décor should be confirmed as acceptable by the consumer/end user prior to installation by the installer.

If there is any aspect of your particular installation that these instructions do not cover please clarify any queries before commencing your installation via the Showerwall helpline; **0845 604 7334**.

Your particular installation may require specific procedures and adjustments.

NOTE: Within the product packaging is an envelope for the property owner, containing the guarantee registration card and a care/maintenance sheet.

PLEASE DO

Do always store Showerwall panels flat to prevent bowing.

Do acclimatise the product prior to installation in normal heated conditions, 24 hours.

Do ensure the Showerwall sealant is applied correctly at all stated points.

Do closely inspect each panel for surface defects prior to and during installation.

Do give the enclosed owner guarantee registration documents to the owner of the property.

Do handle the panels carefully to avoid damage to the edges.

Do leave the protective sheet on the reverse side of the panel in place.

PLEASE DON'T

Don't store the panels outside or in wet / humid conditions.

Don't store the panels propped against a wall on edge or end.

Don't use abrasive cleaners and bleaches to clean the panels.

Don't fit Showerwall panels without correctly sealing every joint.

Don't throw away the owner guarantee registration documents.

Should you find any defects, do not continue the installation.

Please refer your concerns to your supplier immediately who will assist with the problem.

Before You Start

CHECK APPEARANCE

Panels are supplied boxed. Always check for any visual defects prior to installation. Any claim for visual defects present in the panels after fitting will not be covered by the associated guarantee.

Also check each panel for profile edge damage. The panel face protective film should always be removed prior to installation so that the surface can be appropriately checked.

Due to the printing process involved, slight colour variations may be found between panels and are not grounds for complaint.

Once the panels have been installed they are deemed to be acceptable in relation to any visual defects.

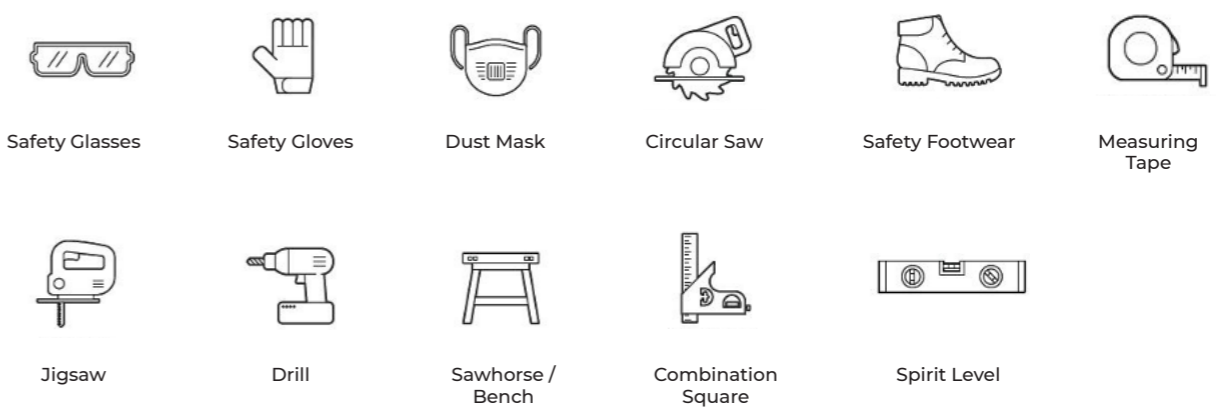
A guide to installation is available to view via the Showerwall website. However, as a guide only, these instructions must be used for the actual installation.

INSTALLATION COMPONENTS

Components and Fittings

RECOMMENDED TOOLS

In addition to the supplied Showerwall profile we recommend the following tools for installation;



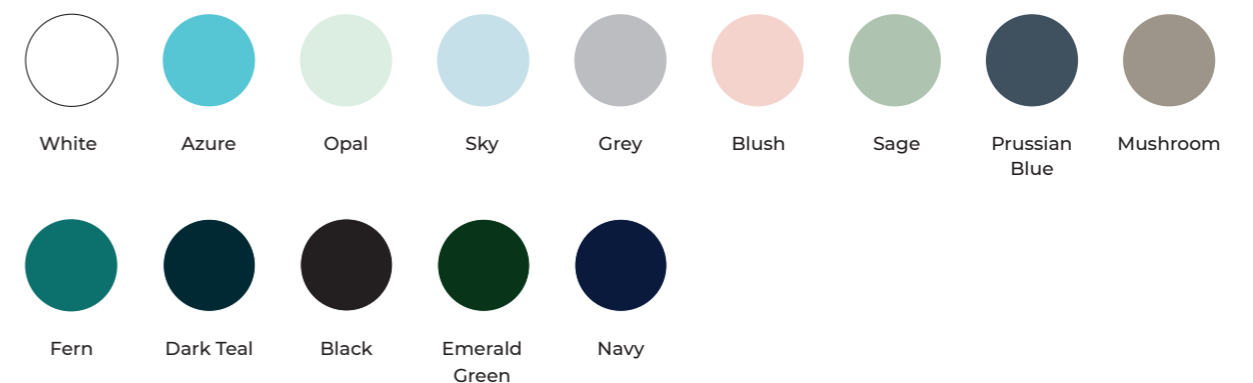
ADHESIVE, SEALANTS & CLEANERS

We recommend that Showerwall's own tried and tested brand of sealant is used for the effective fitting of the Acrylic product. Our Showerwall guarantee only applies if the correct products are used when fitting Showerwall panels.

Translucent sealant should be used to adhere Acrylic panels to the wall, and colour matched sealant should be used for joins between panels.



Colour matched sealant is available in a variety of colours;

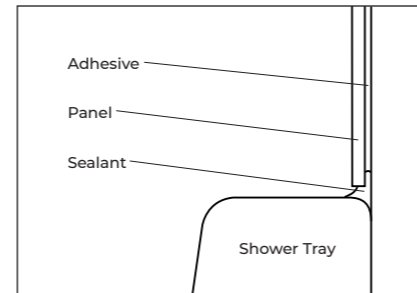


PREPARATION

PANELS

Showerwall Acrylic panels must be fitted to a continuous surface such as plaster board, existing tiling, plywood or tile backer boards providing the surface is sound, plumb and level. Some surfaces do require pre-treatment before installation, tiles should be de-greased and fresh plaster should be sealed with a proprietary PVA sealer. It is important to ensure that there are no areas of wall to be clad where there are distinct differences in contrast such as tape lines in plaster boarding and grout lines in tiling as these can show through when installing lighter colour decors.

A 3mm-4mm gap should be left at the top and the bottom of the panel achieved using spacers, the gap then filled with showerall silicone sealant. This allows the bath or shower tray to expand and contract.



CUTTING ADVICE

For best results use a plunge saw fitted with an appropriate rail guide to protect the panel.

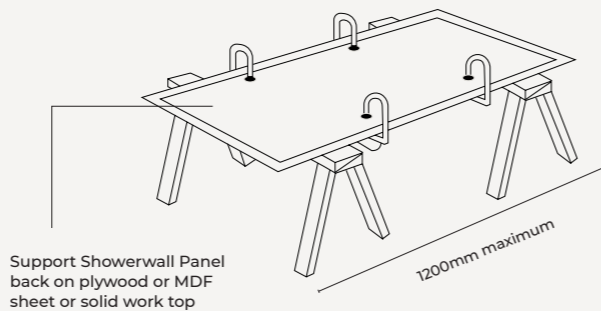
Always cut the panel decorative side face up on a flat supported surface, using clamps secure the panel in place and transfer your cutting marks to the panel, use of masking tape is ideal for this. If using a circular saw cut the panel decorative face down into a sacrificial board.

Set your saw depth to 5mm material depth (to include rail dimensions). Use of a brand new blade will help to avoid excessive chipping and chattering, fine (48 minimum) teeth triple chip blades are ideal for cutting your compact Showerwall panels.

Cut in one single pass, 3000-4500rpm in a slow measured action ensuring debris does not clog the blade, use of extraction is advised!

If using a circular saw please take appropriate steps to protect the decorative face of the showerwall acrylic panel, for best results cut the material face down on a sacrificial board and fully supported.

A Router can also be used if preferred for cutting using a suitable guide, straight TCT fluted cutter should be used with a cutting speed of 4500m/min.

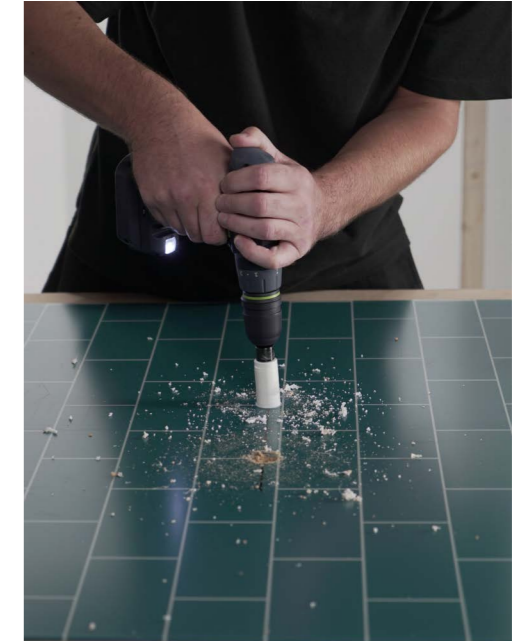
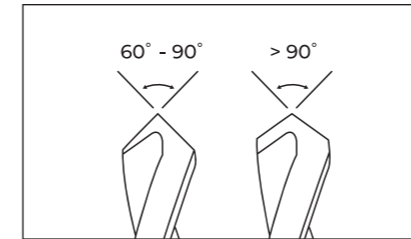


PREPARATION

DRILLING

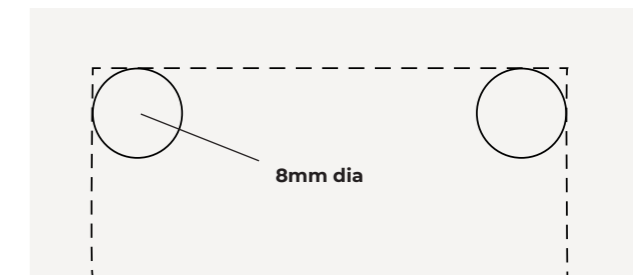
Twist Drills HSS twist drills specifically made for metals or plastics can be used and will have a point angle of between 60° - 90°. Standard drill bits which generally have a much flatter point angle can cause the acrylic to crack!

When drilling a slow speed should be selected and the acrylic panel must be fully supported below. Hole saws can be used to cut the Acrylic panels but must be the type designed to cut metal sheet and the pilot drill must have a point angle of between 60° - 90° as above. The panel must be supported from behind and it is recommended to drill half way through the panel then turn over and finish the hole from the other side, this will prevent the edge from shattering. The edges of the hole should then be de-burred.



CUT-OUTS

Shaped cut-outs can be formed by drilling 8mm diameter holes in the corners of the required shape and then cutting between using a jigsaw with an acrylic blade. Support the panel at all times during cutting and handling. With all cut outs a radius of at least 4mm must be left in the corners failure to do this can lead to prevent the acrylic to cracking.

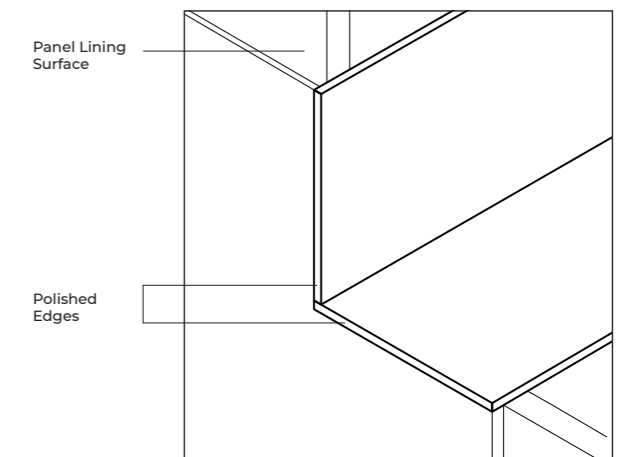


----- Cut Line

EDGE POLISHING

If the panel edge is to be left exposed, it can easily be finished to a polished finish. Always peel back the protective film 25mm from the edge while polishing. Remove any sanding dust between grades immediately using a soft cloth. Start with a 240 grit paper to remove any cutter marks from the machined edge, then process with a 400 grit paper and then finally a 600 grit.

Corner joints can be formed by simply polishing the exposed edges of the acrylic panel.



HANDY HINTS

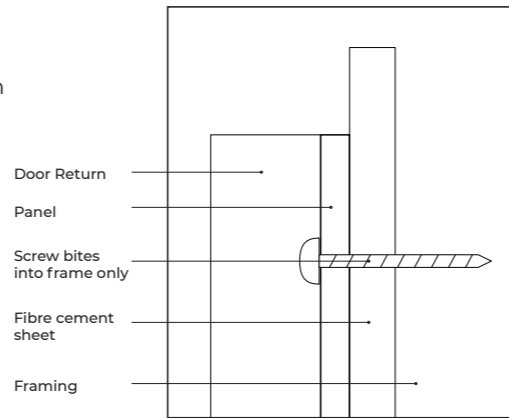
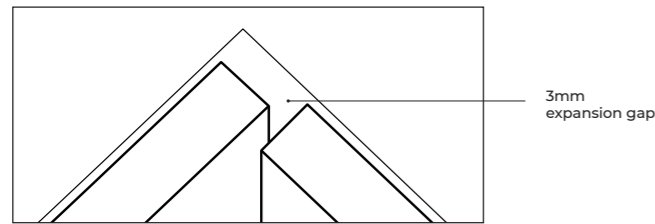
Once you have completed all preparation and cutting don't forget to remove the protective film on the back (painted) side of your panel before adhering to your wall Always leave the front protective film on the front of your panel until the very last. This should be the last job after you have cleaned up your construction site.

When offering the panels to the wall, the use of your straight edge will ensure sufficient force is used. This will ensure correct adhesion of your panel to the wall with your Showerwall panel adhesive. Failure to do so could result in insufficient adhesion of your panel to your wall and void your warranty.

Use tile spacers to give you the correct spacing between sheets and your shower tray. Masking tape on the printed back of your sheet where a hole is to be drilled can help prevent unwanted breakout.

EXPANSION

Showerwall Acrylic panels are subject to expansion and contraction in their normal use and as such require a minimum 3mm expansion gap to be planned into your installation. i.e Internal corners, fixed items, fixing items through the panels. Noting that the panels are not structural and the fixing load should be fully secured in the supporting substrate. (shower screens, handles, valves etc. Shower screens).



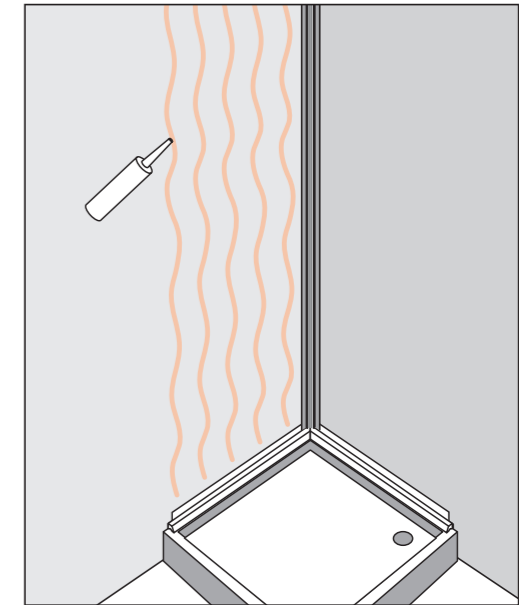
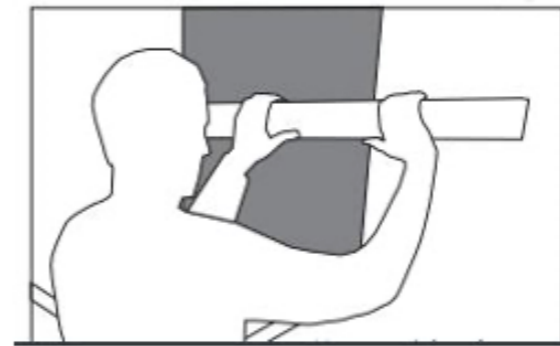
When fitting into an internal corner the first sheet will butt into the wall and allow for 3mm expansion while the second sheet will butt on to the first sheet allowing for expansion and contraction against the first sheet which was installed.

This will reduce the visible join line to 3mm. When offering the panels to the wall the use of your straight edge will ensure sufficient force is used. This will ensure correct adhesion of your panel to the wall with your neutral cure silicone. Failure to do so could result in insufficient adhesion of your panel to your wall and void your warranty.

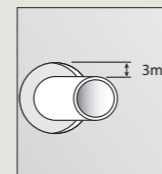
TIP: The use of double sided tape can assist in holding your panel in place while the adhesive cures or alternatively brace off the opposite wall until the adhesive cures.

SEALANT

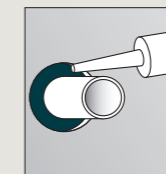
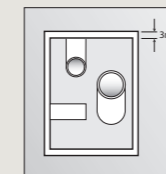
Apply a minimum 6mm bead of Showerwall clear silicone in vertical wavy lines approximately 100mm apart where the showerwall acrylic panel will be fixed. Ensuring an even coverage to avoid excess amounts of sealant in one place.



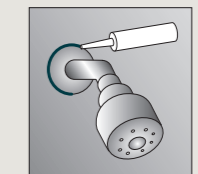
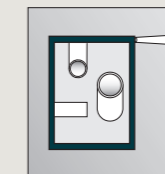
SEALING PIPES, HOLES & CUT OUTS



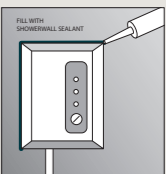
When cutting out or drilling holes into your panels to accommodate pipes or shower units, ensure a clearance space of 3mm width is left between the fixed object being cut around and the panel edge.



The 3mm clearance space must then be fully filled with Showerwall sealant once the panels are installed and before any fittings or shower units are fitted.



Following the fitting of any shower units or pipe collars etc. always seal the shower unit casing or pipe collars again to ensure a further watertight seal exists externally around the unit / collars.



Note: Failure to adequately seal any cut edge sections of the panel may result in unwanted water ingress behind the panels and will invalidate your product guarantee. Fixing items through the panels. Noting that the panels are not structural and the fixing load should be fully secured in the supporting substrate. (radiators, shelves, shower screens, handles).



CARE, MAINTENANCE & GUARANTEE DETAILS

Section Four

CARE

The non-porous surface of Showerwall provides excellent protection against bacteria and is easily cleaned and maintained.

Showerwall Superclean is a non-abrasive, pH neutral cleaner specifically formulated and tested for use with your Showerwall panels and will achieve a streak free finish on Showerwall, Glass, Sanitaryware, Taps & Plastics.

It kills bacteria viruses, mould and has a sterilising affect on your Shower area keeping the surfaces clean without scratching and is recommended for the optimum life and performance of your Showerwall panel system.

Your Showerwall panels should be rinsed down after each use of your shower and cleaned using Showerwall Superclean. Not rinsing away chemicals such as hair dyes or hair bleaches may have a discolouring affect on the Showerwall sealants.

Please ensure the property owner retains this section for future reference.

GUARANTEE

Showerwall panels will be free from defects caused as a direct result of faulty manufacture for the period of thirty (30) years in the case of panels installed in a domestic environment, and five (5) years in the case of panels installed in a commercial environment.

Note the 30 year term of the guarantee for panels installed in a domestic environment is only applicable when the purchase of the panels has been registered within 28 days of the installation of such panels. In the event that the purchase of the panels is not registered within the 28 Days, the Guarantee Period for panels that have been installed in a domestic environment will be fifteen (15) years from the date of invoice.

Registration of the purchase of the panels can be made online via www.showerwall.co.uk or by returning the registration document contained within the product packaging.

This guarantee is only valid and applicable where the Showerwall system installation is fully in accordance with these set of instructions. No guarantee is offered where the installation is not in accordance with these instructions or is a unique or bespoke form of installation. Please contact Showerwall if any queries exist in relation to your particular installation.

A copy of the complete guarantee document is available upon request or can be downloaded at www.showerwall.co.uk.

MAINTENANCE

Any exposed bottom edge sealants may need to be replaced periodically, and or as necessary dependant up on shower usage and normal sealant degrade, and is a normal good maintenance procedure. Failure to maintain exposed sealants as necessary may result in water ingress into the panel core and subsequent panel damage and will invalidate your guarantee.

Any exposed bottom edge sealant beads can be replaced using the Showerwall silicone eater accessory, which assists in the easy removal of your old sealant beads prior to resealing with new Showerwall sealant.

Showerwall Silicone Eater is available via your Showerwall supplier.

NOTE: Abrasive cleaners or bleaches must not be used on the panelling.

INSTALLATION DATE	PANEL BATCH NO.
INSTALLER DETAILS	



**Naturally inspired
surfaces**

T: 0333 344 8493
E: info@showerswall.co.uk

www.showerswall.co.uk | 2024-V1